

HBWA.011 Luminous Handrail Wall Bracket

05/29/2015

ZONE		REV	DESCRIPTION	DATE	APPROVED

D

C

B

A

D

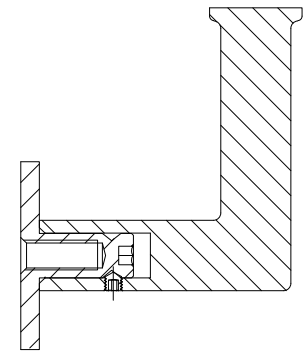
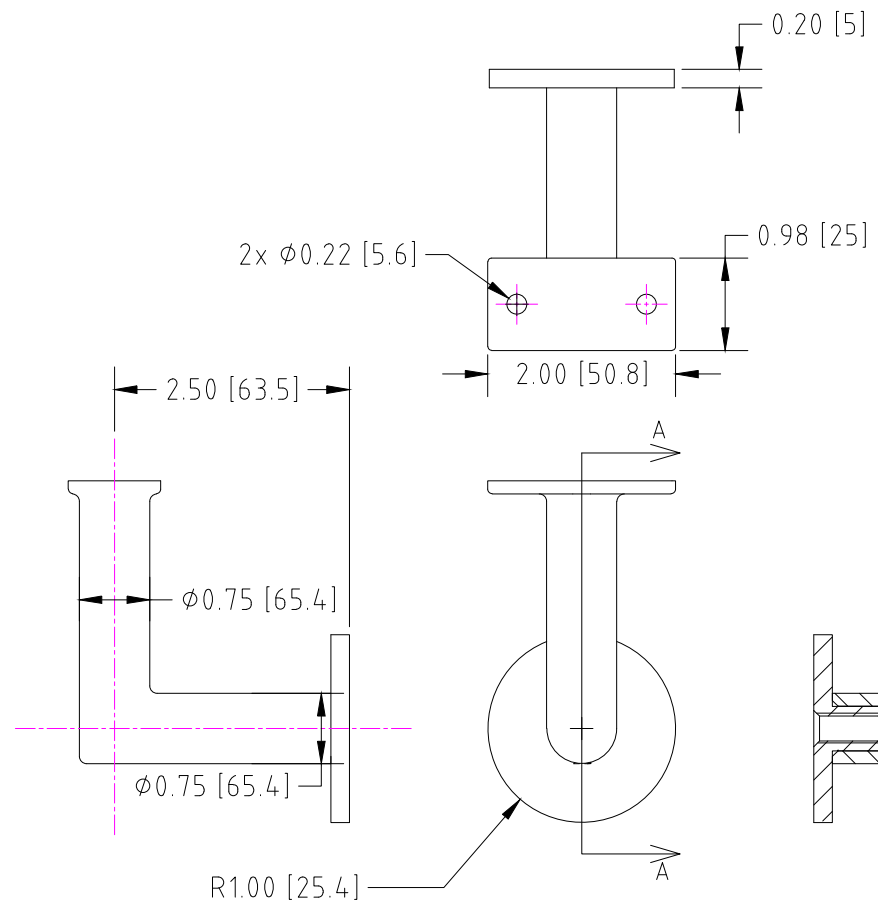
C

B

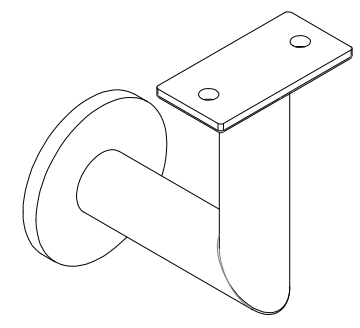
A

8 7 6 5 4 3 2 1

8 7 6 5 4 3 2 1



VIEW A-A



	Luminous Handrail Bracket	
	INLINE DESIGN	
	<small>DATE</small> 05/29/2015 <small>SCALE</small> 1:1	<small>PROJ. NO.</small> HBWA.011 <small>REV.</small> 3

Date: 05/29/2015

SCALE 1:1

PROJ. NO. HBWA.011

REV. 3

SHEET 1

OF 1