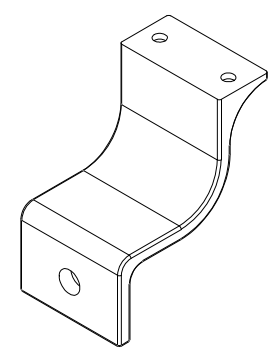
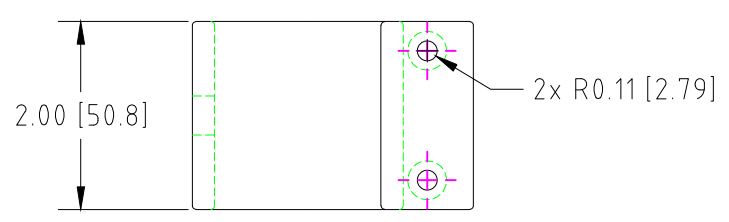
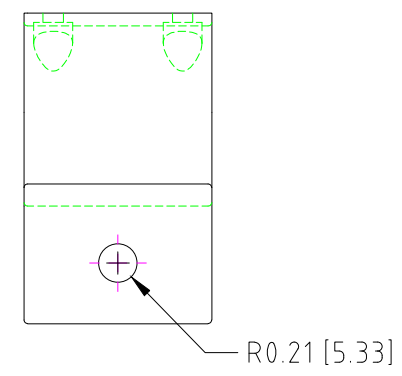
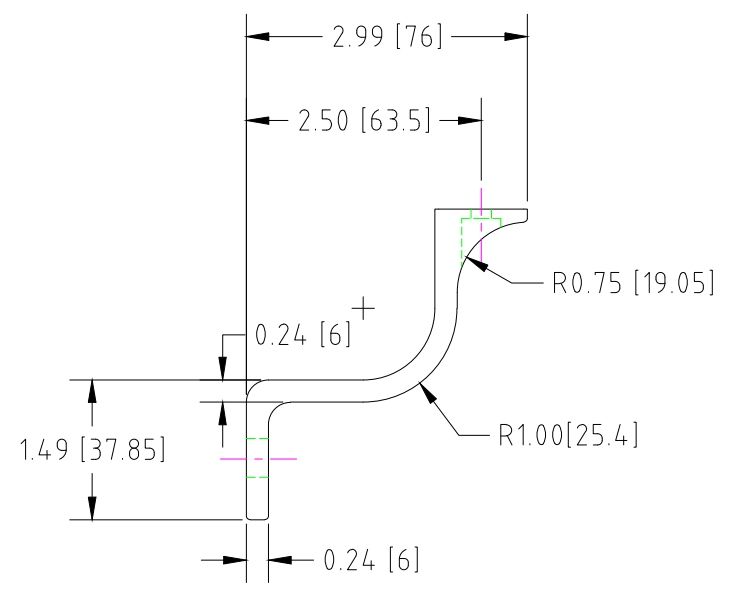



HBWA.010 Pulsar Handrail Bracket

JD

ZONE		REV	DESCRIPTION	DATE	APPROVED



	Pulsar Handrail Bracket	
	INLINE DESIGN	
Date: 05/29/2015 SCALE: 1:1	SHEET NO. 1 DRAW NO. HBWA.010	REV 3

8 7 6 5 4 3 2 1

D

D

C

C

B

B

A

A

8 7 6 5 4 3 2 1