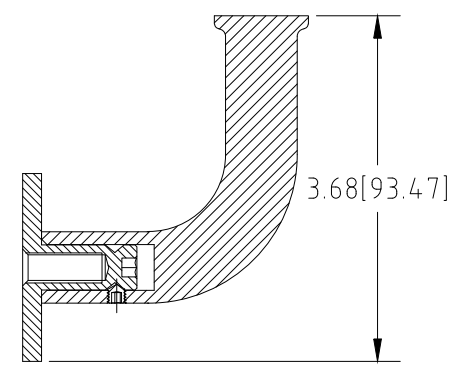
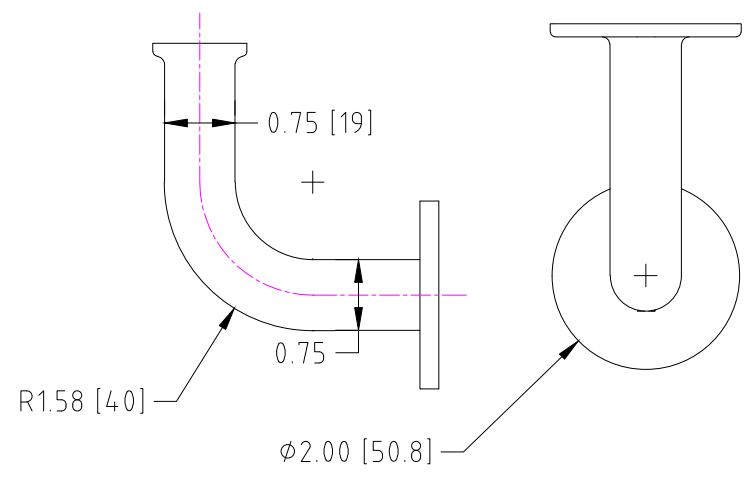
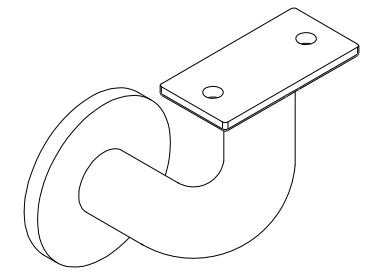
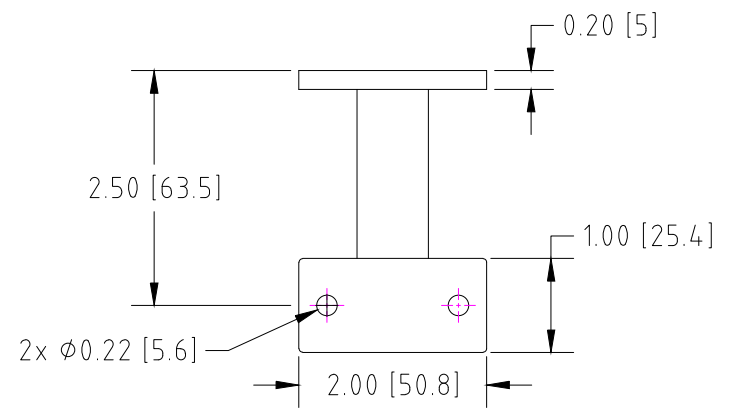


HBWA.012 Redshift Quasar Handrail Wall Bracket

05/29/2015

ZONE		REV	DESCRIPTION	DATE	APPROVED



	Redshift Handrail Bracket								
	INLINE DESIGN								
Date: 05/29/2015	<table border="1"> <tr> <td>SIZE</td> <td>FORM NO.</td> <td>DRW NO.</td> <td>REV</td> </tr> <tr> <td>Δ</td> <td></td> <td>HBWA.012</td> <td>3</td> </tr> </table>	SIZE	FORM NO.	DRW NO.	REV	Δ		HBWA.012	3
SIZE	FORM NO.	DRW NO.	REV						
Δ		HBWA.012	3						
SCALE: 1:1	SHEET: 1								

8 7 6 5 4 3 2 1

D

D

C

C

B

B

A

A

8 7 6 5 4 3 2 1