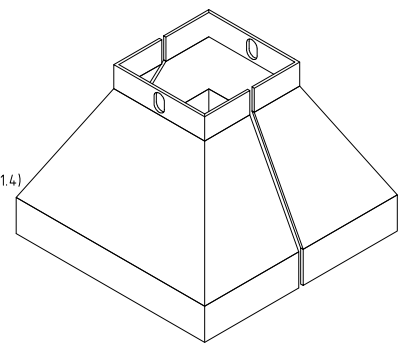
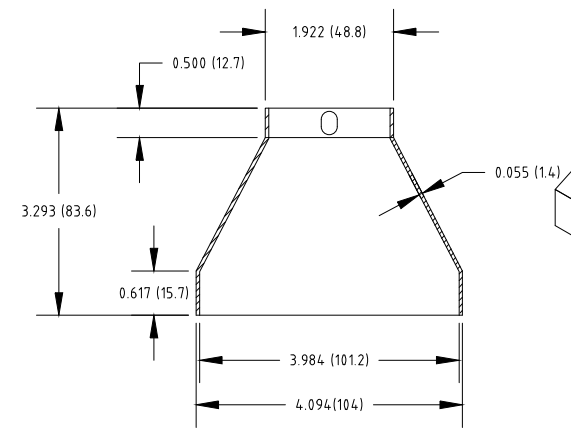
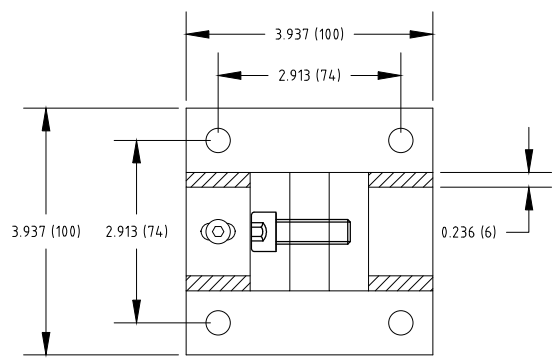
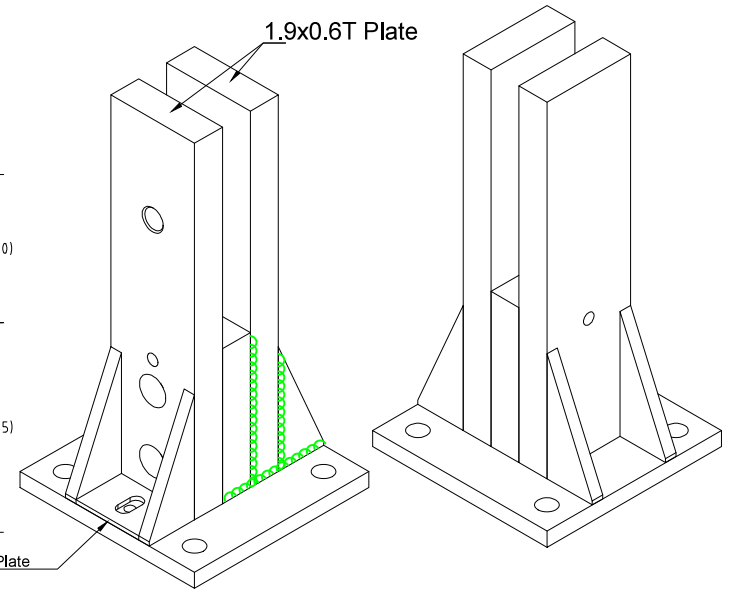
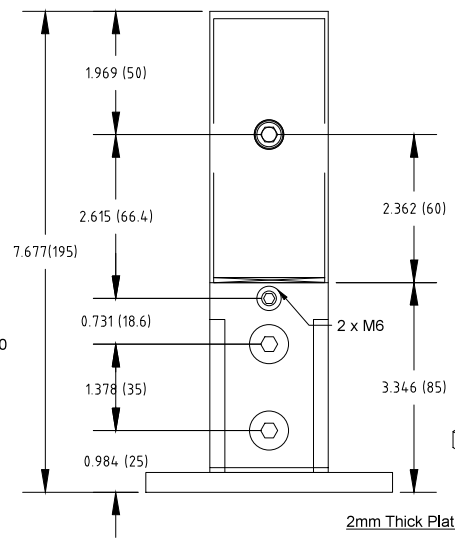
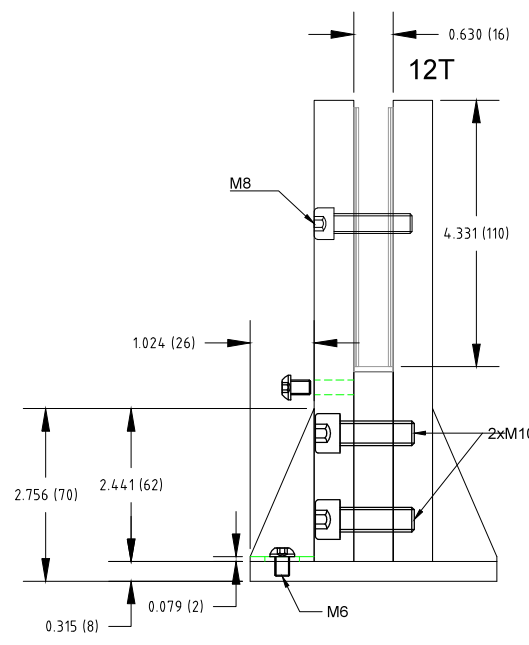



SQU.SPG.316 Stainless Steel Spigot Square Pyramid Glass Clamps

ZONE		REV	DESCRIPTION	DATE	APPROVED



Base Cover

	SQU GLS SPIGOT SPG	
	INLINE DESIGN	
Date: 07/16/2016	SCALE: 1:1	SHEET: 1

8 7 6 5 4 3 2 1

D

C

B

A

D

C

B

A

8 7 6 5 4 3 2 1