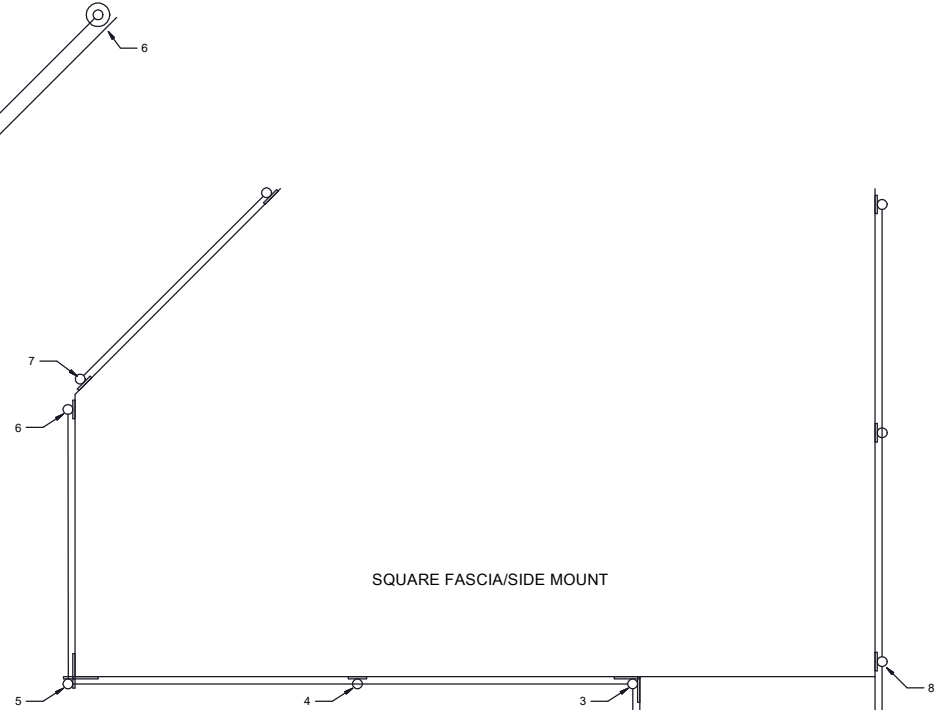


#	DESCRIPTION	SKU
1	LOWER STAIR POST	RND.PL.STR.LOW
2	MIDDLE STAIR POST	RND.PL.STR.MID
3	UPPER STAIR 90-L	RNDPL.STR.UPP.90L
4	MIDDLE POST	RND.CBL.MID
5	135 DEGREES POST	RND.PL.CUST
6	END POST TERMINAL	RND.PL.TER
7	UPPER STAIR 180	RND.PL.STR.UPP.180
8	CORNER POST	RND.PL.CRN



#	DESCRIPTION	SKU
1	LOWER STAIR FASCIA POST	WRND.PL.STR.LOW
2	MIDDLE STAIR FASCIA POST	WRND.PL.STR.MID
3	UPPER STAIR INSIDE CORNER	WRND.PL.STR.UPP.90L
4	MIDDLE ROUND FASCIA POST	WRND.CBL.MID
5	OUTSIDE CORNER FASCIA POST	WRND.PL.CRN.OUT
6	END FASCIA POST-TERMINAL	WRND.PL.TER
7	END FASCIA POST- TENSIONER	WRND.PL.TEN
8	UPPER STAIR FASCIA 180	WRND.PL.STR.UPP.180

***NOTE: DUE TO THE DIFFERENCE IN EVERY PROJECT, WE HIGHLY RECOMMEND CUSTOMER SEND US THE BLUEPRINT, PLAN, PHOTOS OF THE PROJECT SO WE CAN ASSIST BETTER



1420 TERRY AVE #2304
SEATTLE, WA 98101
INLINEDESIGN.US

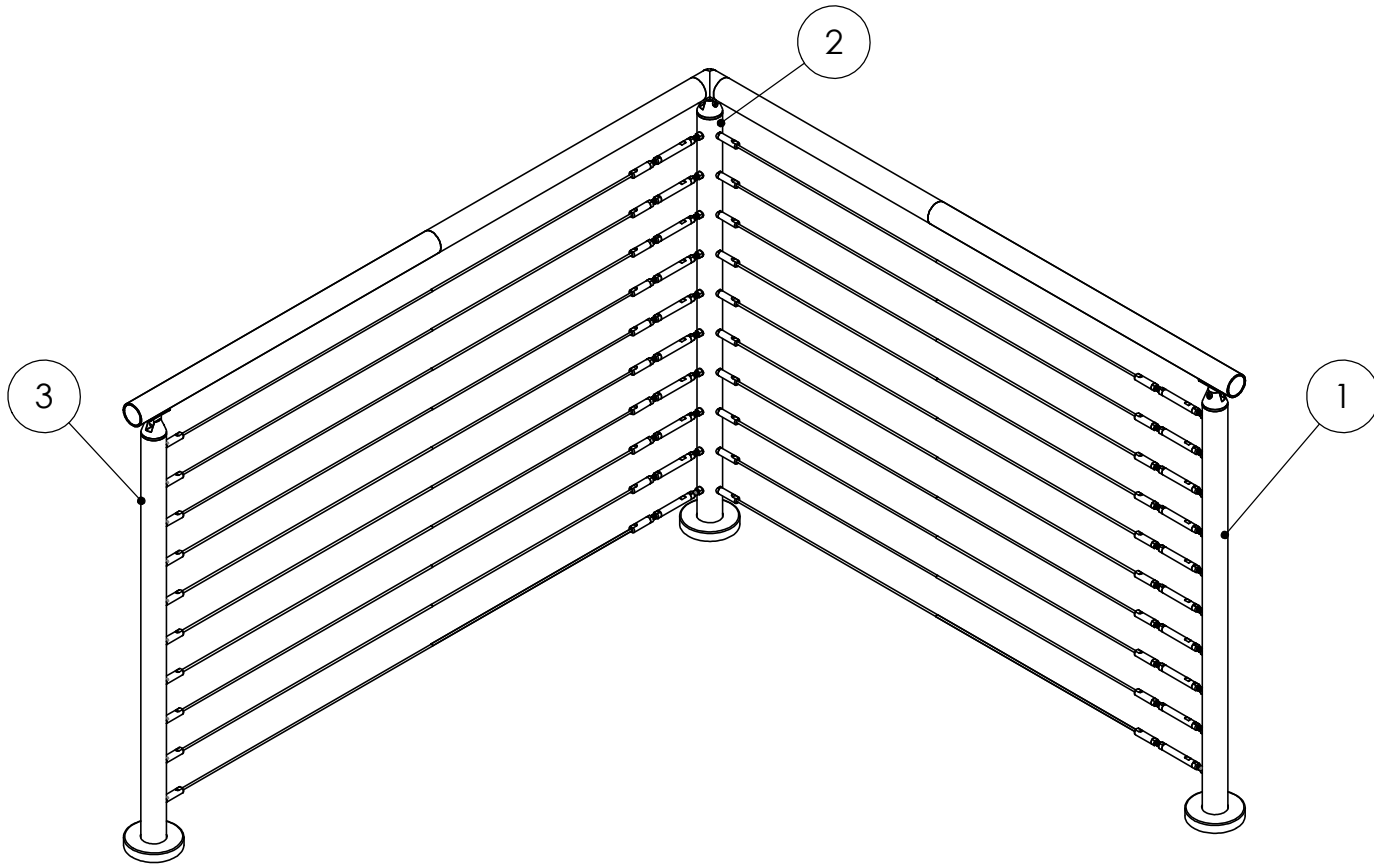
PHONE: (425) 405 5505
FAX: (866) 864 0608
SALES@INLINEDESIGN.US

DWG NO. 1

ROUND PRESS AND LATCH CABLE RAILING SYSTEM

TOP VIEW POSTS LAYOUT

MATERIAL:	SS STEEL 316	DATE:	12/15/17
DESIGNER:	INLINE DESIGN		
SCALE:	NONE	SHEET:	1 OF 5



36" HIGH POSTS HAVE 10 CABLES

42" HIGH POSTS HAVE 12 CABLES

1	TENSIONER POST	1	ROUND POST WITH WELDED CONE BRACKET
		10	PL TENSIONER FITTINGS
2	CORNER POST	1	ROUND POST WITH WELDED CONE BRACKET
		10	PL TERMINAL/ ENDER FITTINGS
		10	PL TENSIONER FITTINGS
3	TERMINAL/ ENDER POST	1	ROUND POST WITH WELDED CONE BRACKET
		10	PL TERMINAL/ ENDER FITTINGS



1420 TERRY AVE #2304
SEATTLE, WA 98101
INLINEDESIGN.US

PHONE: (425) 405 5505
FAX: (866) 864 0608
SALES@INLINEDESIGN.US

DWG NO. 2

ROUND PRESS AND LATCH CABLE RAILING SYSTEM

FLOOR MOUNT POSTS KIT COMPONENTS

MATERIAL:
SS STEEL 316

DATE:
12/15/17

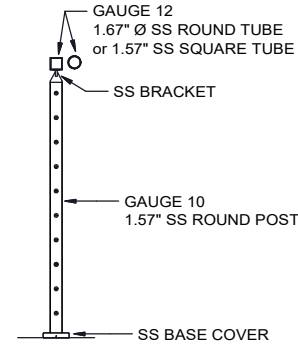
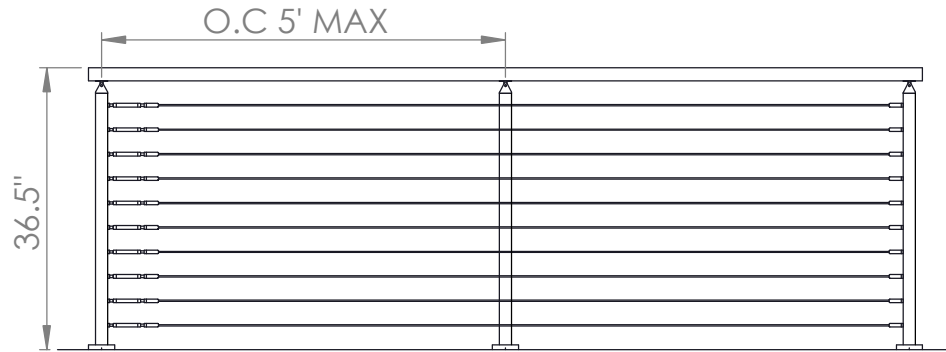
DESIGNER:
INLINE DESIGN

SCALE:
NONE

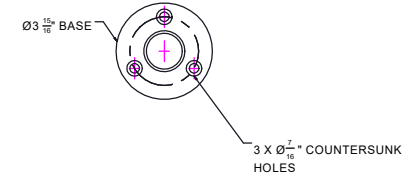
SHEET:
2 OF 5

FLOOR MOUNT STRAIGHT RUN

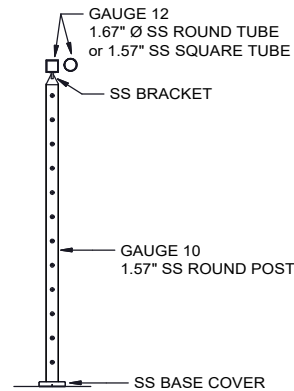
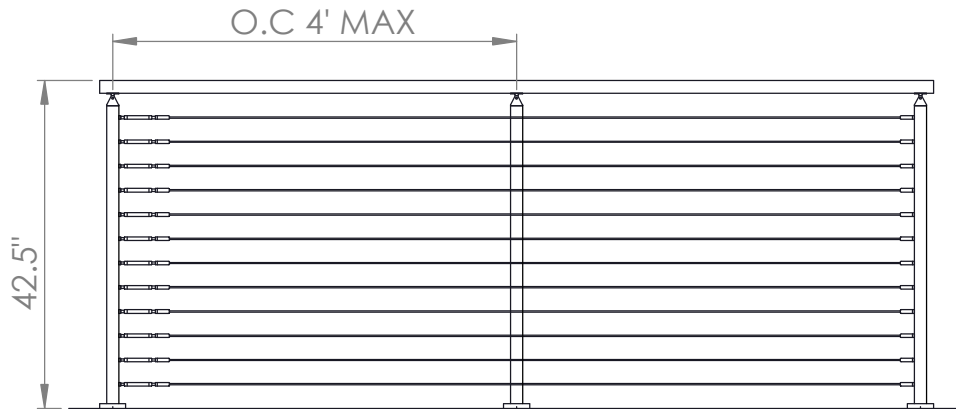
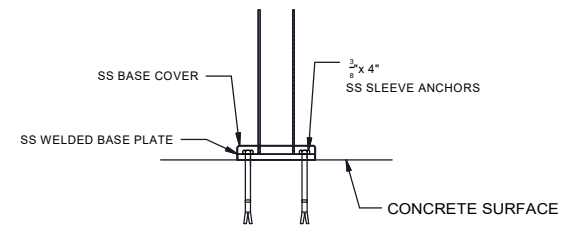
AVAILABLE IN 36" (OC-Max 5') AND 42" HEIGHT (OC-Max 4')



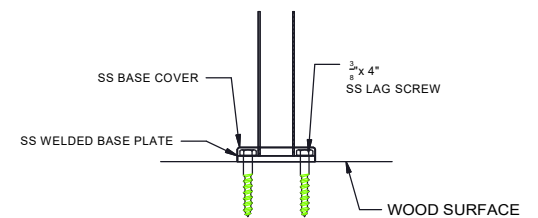
TOP VIEW SQUARE



FRONT VIEW



FRONT VIEW



1420 TERRY AVE #2304
SEATTLE, WA 98101
INLINEDESIGN.US

PHONE: (425) 405 5505
FAX: (866) 864 0608
SALES@INLINEDESIGN.US

DWG NO. 3

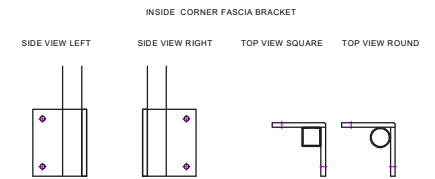
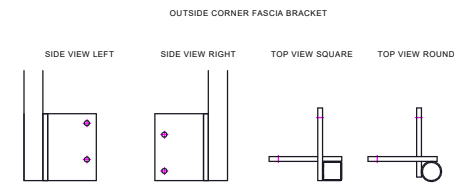
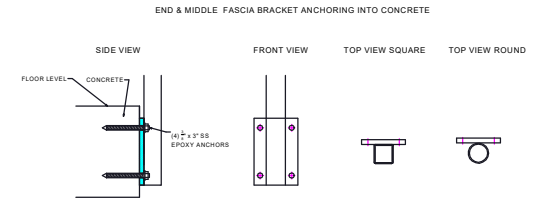
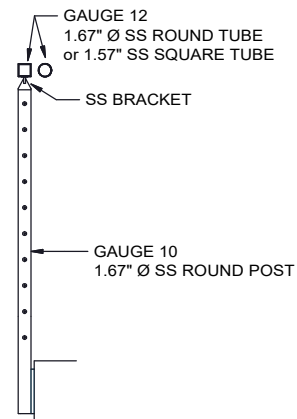
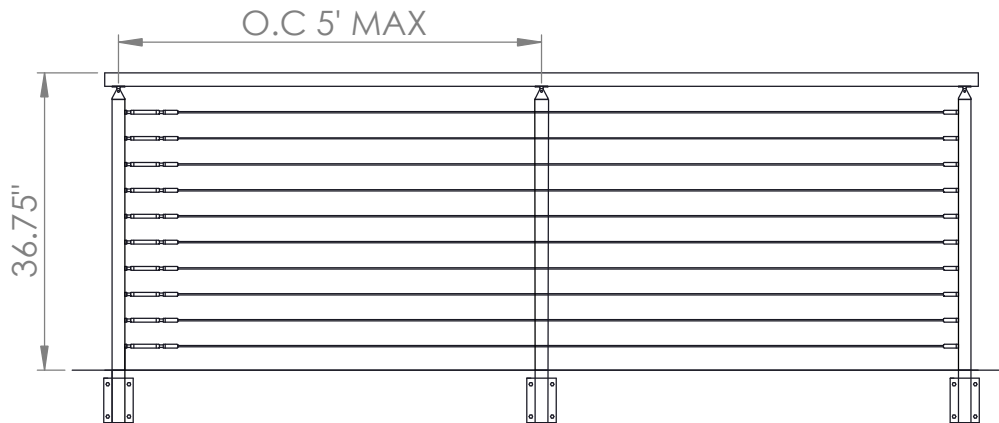
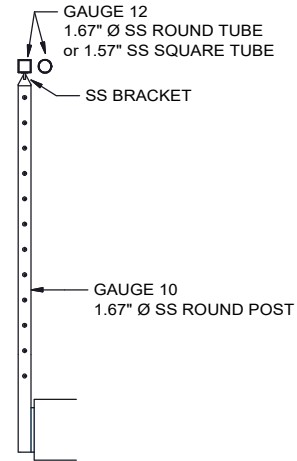
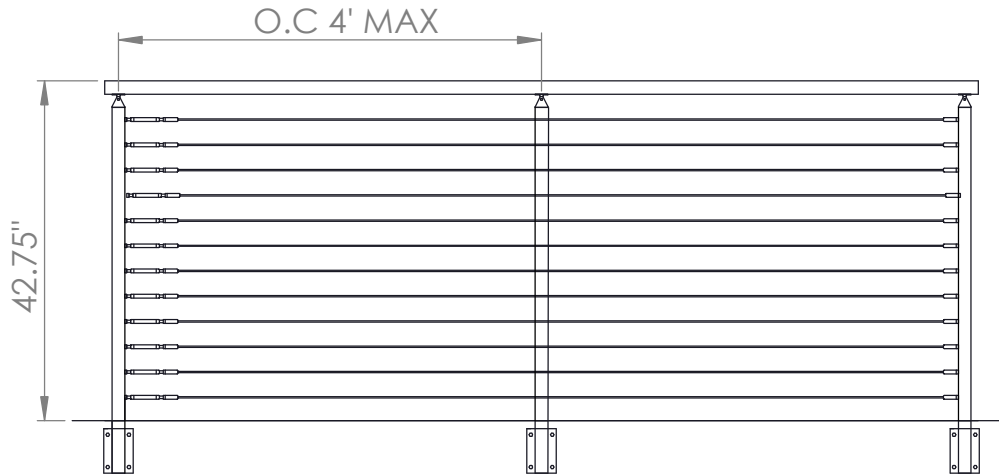
ROUND PRESS AND LATCH CABLE RAILING SYSTEM

FLOOR MOUNT POSTS SPECIFICATION

MATERIAL:	SS STEEL 316	DATE:	12/15/17
DESIGNER:	INLINE DESIGN		
SCALE:	NONE	SHEET:	3 OF 5

FASCIA MOUNT STRAIGHT RUN

AVAILABLE IN 36" (OC-Max 5') AND 42" HEIGHT (OC-Max 4')



1420 TERRY AVE #2304
SEATTLE, WA 98101
INLINEDESIGN.US

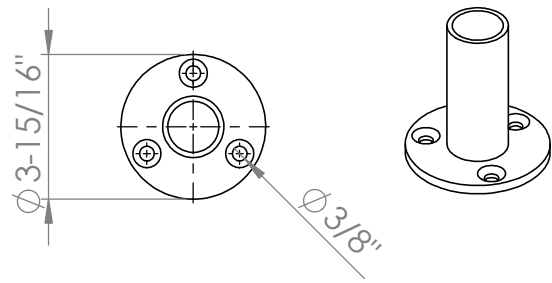
PHONE: (425) 405 5505
FAX: (866) 864 0608
SALES@INLINEDESIGN.US

DWG NO. 4

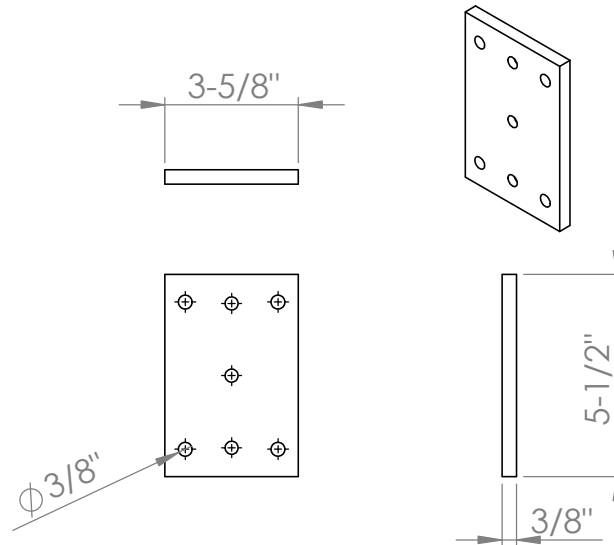
ROUND PRESS AND LATCH CABLE RAILING SYSTEM

FASCIA MOUNT POSTS SPECIFICATION

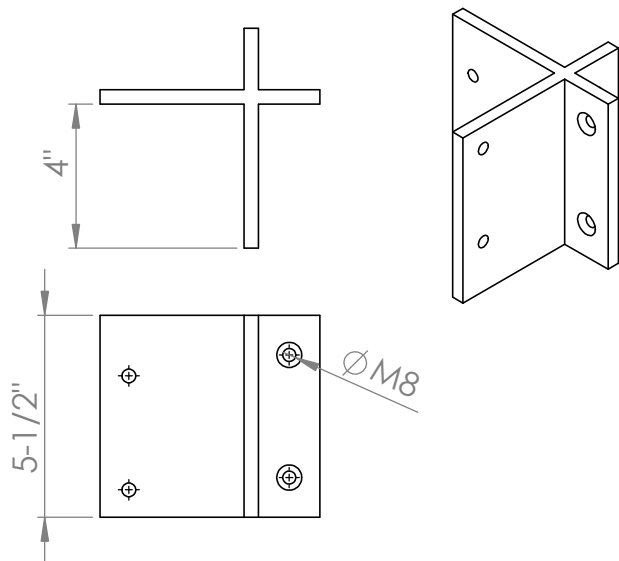
MATERIAL:	SS STEEL 316	DATE:	12/15/17
DESIGNER:	INLINE DESIGN		
SCALE:	NONE	SHEET:	4 OF 5



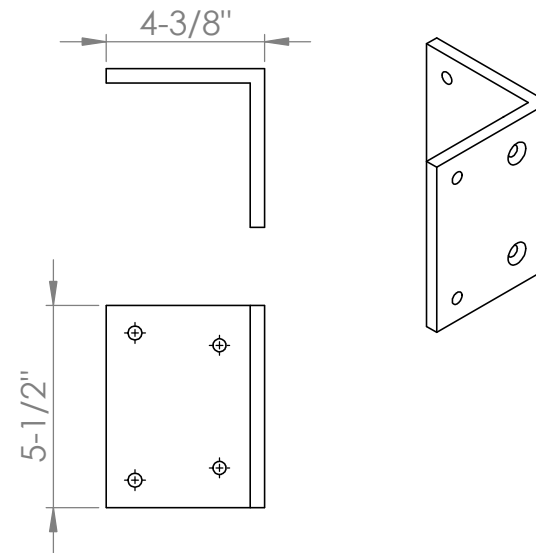
FLOOR MOUNT BASE FLANGE



FASCIA FLAT PLATE



FASCIA OUTSIDE CORNER PLATE



FASCIA INSIDE CORNER PLATE



1420 TERRY AVE #2304
SEATTLE, WA 98101
INLINEDESIGN.US

PHONE: (425) 405 5505
FAX: (866) 864 0608
SALES@INLINEDESIGN.US

DWG NO. 5

ROUND PRESS AND LATCH
CABLE RAILING SYSTEM
MOUNTING PLATES SPECIFICATION

MATERIAL:	SS STEEL 316	DATE:	12/15/17
DESIGNER:	INLINE DESIGN		
SCALE:	NONE	SHEET:	5 OF 5