

Installing Stainless Steel Handrail Wall Bracket *Square for Flat Bottom Tube Slim*

Overview¹

These instructions will provide step-by-step installation guidelines for installing the Stainless Steel Handrail Wall Bracket Square for Flat Bottom Tube Slim, HBWA.009 into wood, drywall, or sheetrock

These brackets come with a wall bracket screw/hanger bolt to attach to the wall, and an M6 bolt to attach to a handrail

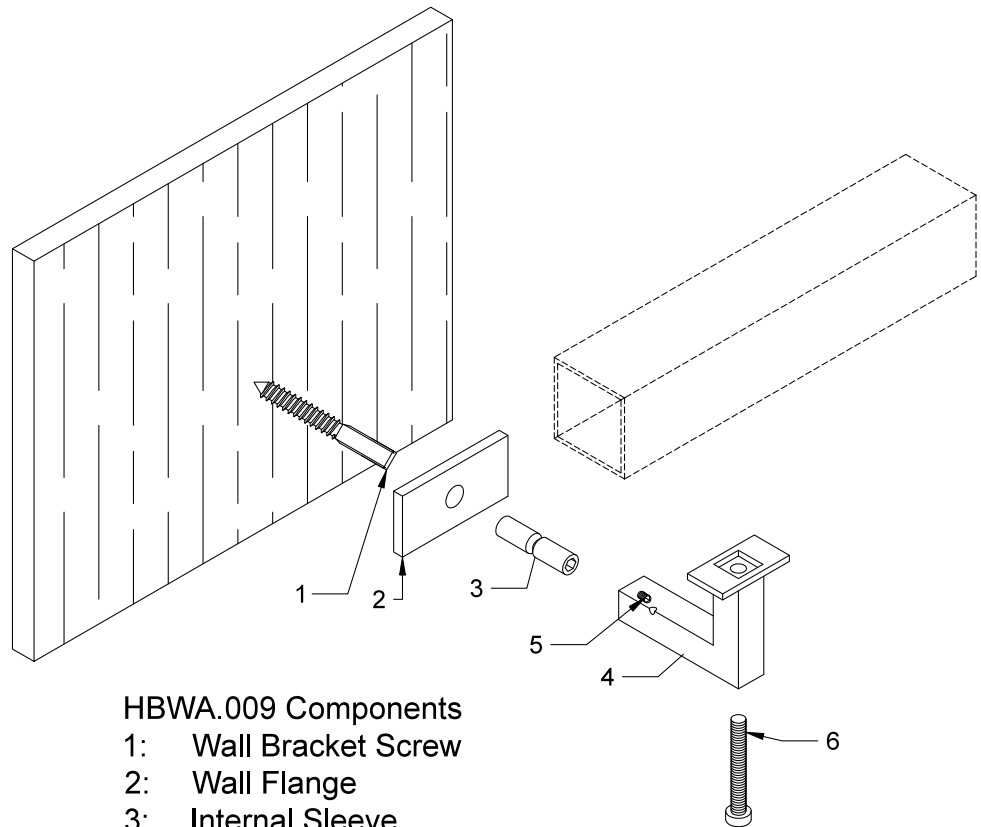
Brackets should be installed at a maximum spacing of 4'

Caution: Wear protective ANSI approved safety glasses, working gloves and breathing mask at all times



Tools Required

- 1) Stud-finder
- 2) Handheld drill
- 3) 3/16" drill bit
- 4) 4mm hex wrench
- 5) 2.5mm hex wrench
- 6) M6x1.00 Tap



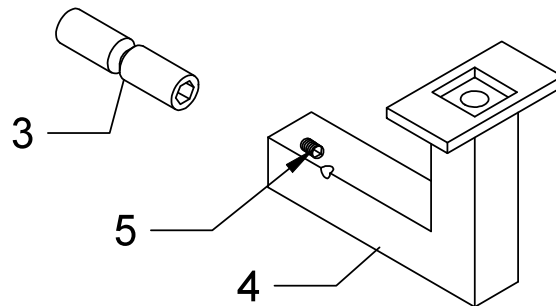
HBWA.009 Components

- 1: Wall Bracket Screw
- 2: Wall Flange
- 3: Internal Sleeve
- 4: Main Assembly
- 5: 2.5 mm Hex Screw
- 6: M6 Bolt

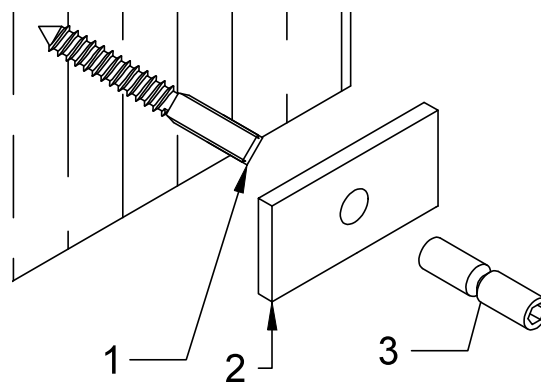
¹ This document includes hyperlinks and is intended to be viewed as a PDF file rather than print material

Part 1: Install the Wall Bracket

- 1) Using a stud-finder, locate a stud and spot drill using 3/16" drill bit (this is true for wood or steel/metal stud)
- 2) Loosen the 2.5mm hex screw enough on the underside of the main assembly to clear a few threads. A small internal sleeve will be released.



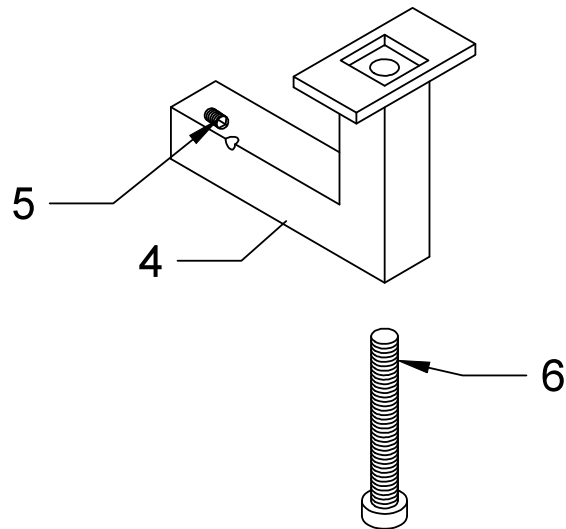
- 3) Place the wall flange over the machine threaded end of the wall bracket screw and use fingers to tighten the screw



- 4) Drive the assembled screw and flange into the hole and secure the lag end of the stud using a 4mm hex wrench.
- 5) Position the main assembly onto the mounted wall flange at the desired orientation and tighten the small hex screw with a 2.5mm wrench. Note: This bracket only tightens when fastened to the wall.

- 6) To connect to Inline Design steel tubes, insert the M6 bolt through the vertical portion of the main assembly

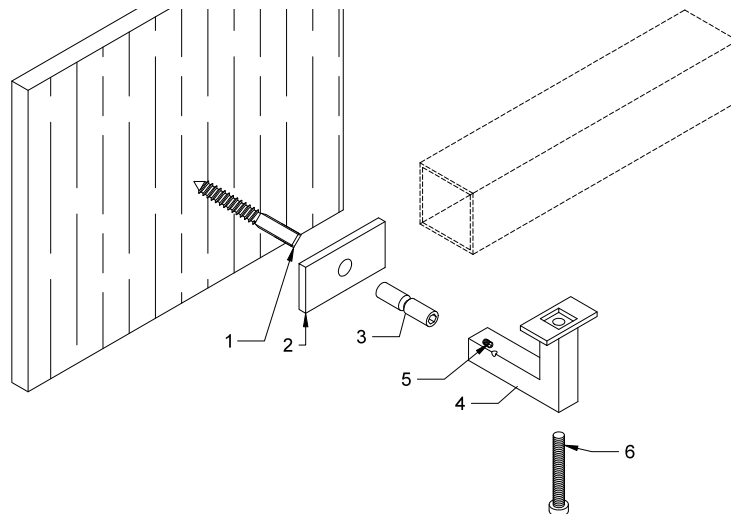
Note: If affixing to a wooden handrail, customers will need to purchase lag screw to replace M6 bolt



Part 2: Attach to Handrail

For the strongest attachment to Inline Design tubing, we recommend attaching this bracket to a stainless steel handrail with M6 drill bit and corresponding tap.

Note: Attaching to wooden handrails or other stainless steel tubing will require different method of attachment e.g. drilling/tapping, refer to the manufacturer's instruction to correctly attach



NOTE: A small amount of surface corrosion is not uncommon after some exposure to weather or salty conditions; we recommend using our [passivation solution](#) or a stainless steel polish to prevent surface corrosion; more information available [on our Engineering Specs Page](#)