

Installing Stainless Steel Handrail Wall Bracket

Event Horizon

Overview¹

These instructions will provide step-by-step installation guidelines for installing the Stainless Steel Handrail Wall Bracket Event Horizon, HBWA.016 into sheetrock, wood, or drywall surfaces

This bracket comes with a round saddle adapter to attach to round tubing and 2x M5 screws to attach to a handrail

Brackets should be installed with a maximum distance of 4'

Caution:

Wear protective ANSI approved safety glasses, working gloves and breathing mask at all times

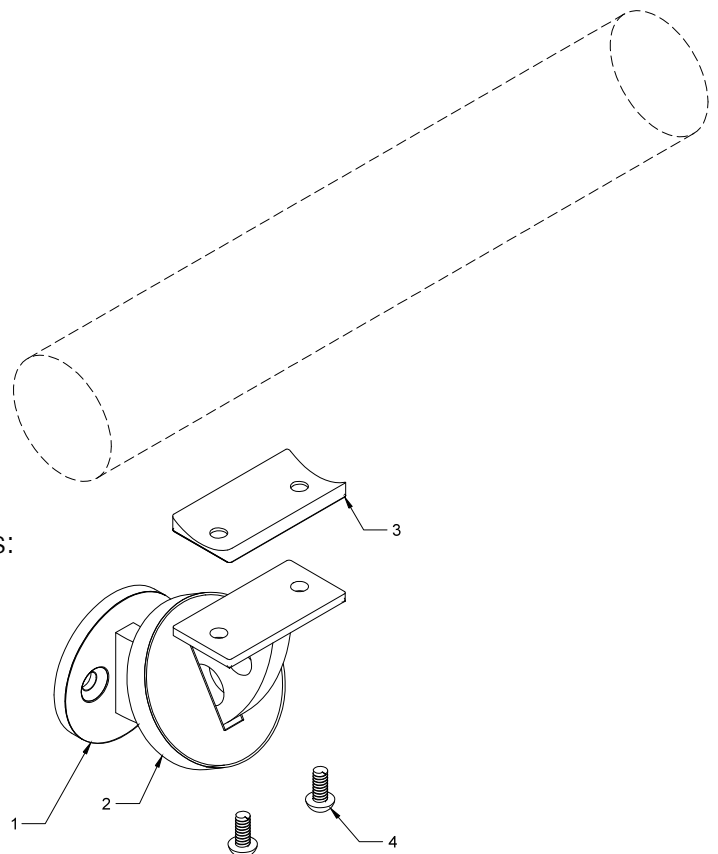


Tools Required

- 1) Stud-finder
- 2) Handheld drill
- 3) Tape
- 4) 1/8" drill bit
- 5) [Not provided] 2x wall screw or bolt to fit 1/4" hole size

HBWA.016 Components:

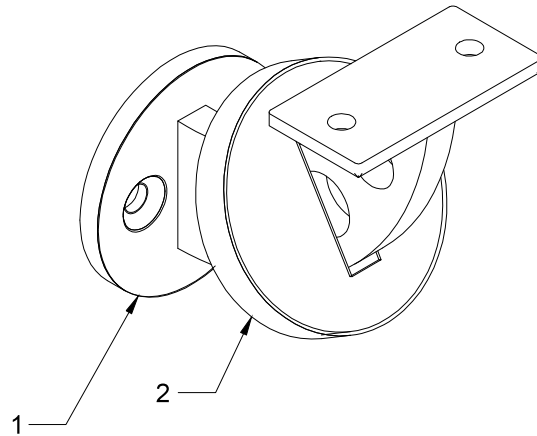
- 1: Bracket
- 2: Flange base cover
- 3: Round tube adapter
- 3: 2x M5 bolts



¹ This document includes hyperlinks and is intended to be viewed as a PDF file rather than print material

Instructions

- 1) Using a stud-finder, locate a stud and spot drill using 1/8" drill bit (true for wood or steel/metal stud)
- 2) Lift and tape flange base cover to expose the 1/4" screws on wall flange
- 3) Position bracket at desired orientation; use selected wall mounting screws to secure the bracket to the mounting surface



- 4) [Refer to these instructions to install Inline Design square or round tubing and additional hardware](#)
Note: If using a round handrail, position the round saddle adapter on top of the flat saddle before attaching handrails.

NOTE: A small amount of surface corrosion is not uncommon after some exposure to weather or salty conditions; we recommend using our [passivation solution](#) or a stainless steel polish to prevent surface corrosion; more information available [on our Engineering Specs Page](#)