

Installing Stainless Steel Handrail Wall Bracket

Square Magnetar

Overview¹

These instructions will provide step-by-step installation guidelines for installing the heavy duty Stainless Steel Handrail Wall Bracket Magnetar, HBWA.014, into sheetrock, wood, or drywall surfaces

This bracket comes with a round saddle adapter to attach to round tubing, a wall bracket screw, a countersunk bolt to attach the flat saddle, and 2x M5 screws to attach to a handrail

Brackets should be installed with a maximum distance of 4'

Caution:

Wear protective ANSI approved safety glasses, working gloves and breathing mask at all times

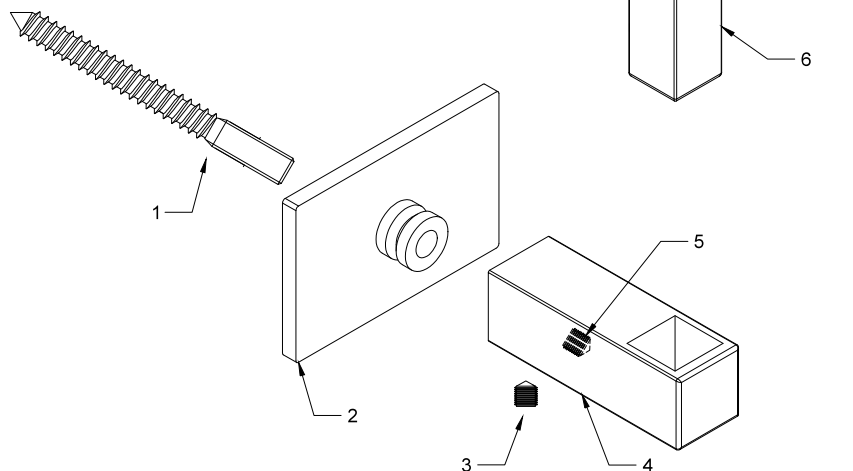


Tools Required

- 1) Stud-finder
- 2) Handheld drill
- 3) 3/16" drill bit
- 4) 4mm allen wrench
- 5) 3mm allen wrench

HBWA.014 ASSEMBLY

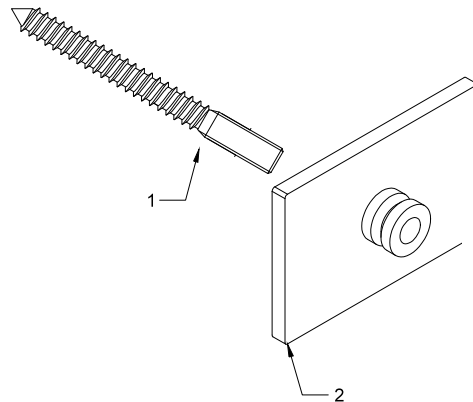
- 1: WALL BRACKET SCREW
- 2: WALL FLANGE
- 3: POINTED HEAD SCREW
- 4: HORIZONTAL COLUMN
- 5: POINTED HEAD SCREW
- 6: VERTICAL COLUMN
- 7: FLAT SADDLE
- 8: ROUND TUBE ADAPTOR



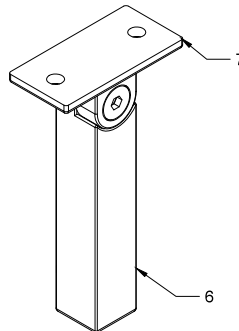
¹ This document includes hyperlinks and is intended to be viewed as a PDF file rather than print material

Instructions

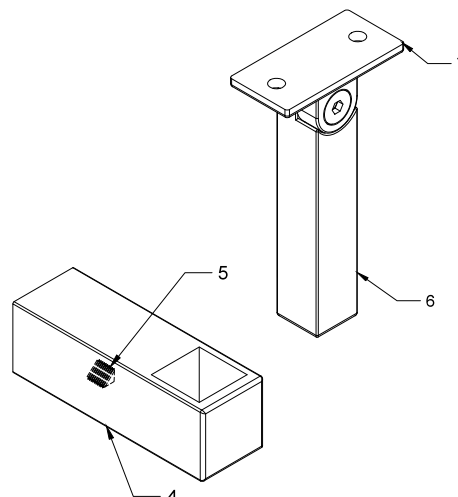
- 1) Using a stud-finder, locate a stud and spot drill using 3/16" drill bit (true for wood or steel/metal stud)
- 2) Begin with only the wall flange and wall bracket screw, and thread the fine M8 side into the wall flange until finger tight



- 3) Drive the assembled screw and flange into the hole and secure the lag end of the stud using a 4mm allen wrench
- 4) Use the included countersunk bolt to attach the flat saddle to the vertical column; tighten with a 4mm allen wrench



- 5) With the bolt exposed to the frontside, position the vertical column into the open square of the horizontal column and tighten the pointed head screw (#5 on diagram) using a 3mm allen wrench when the vertical column is at the desired height



- 6) With the main assembly put together, slide the horizontal column onto the secured wall flange and tighten the pointed head screw with a 3mm allen wrench
- 7) [Refer to these instructions to install Inline Design square or round tubing and additional hardware](#)
Note: If using a round handrail, position the round saddle adapter on top of the flat saddle before attaching handrails

NOTE: A small amount of surface corrosion is not uncommon after some exposure to weather or salty conditions; we recommend using our [passivation solution](#) or a stainless steel polish to prevent surface corrosion; more information available [on our Engineering Specs Page](#)